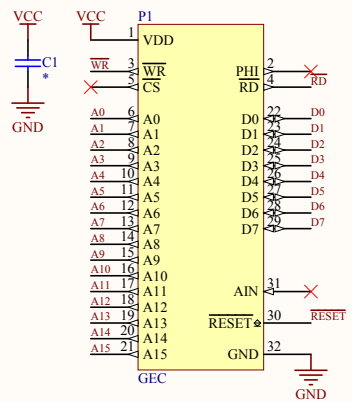
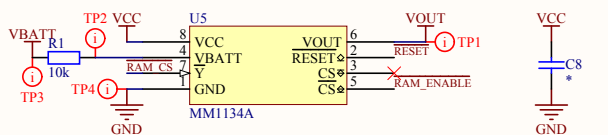
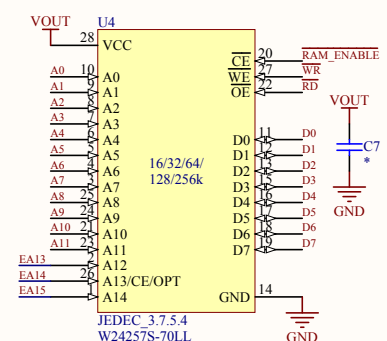
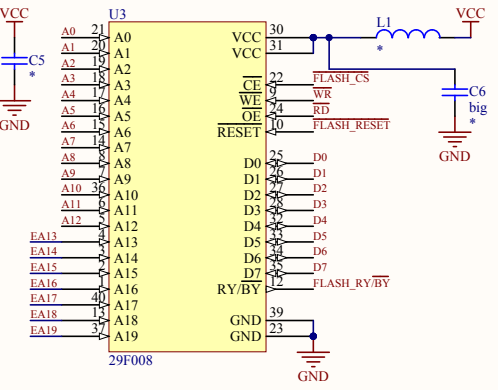
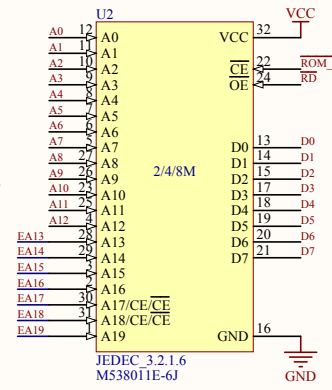
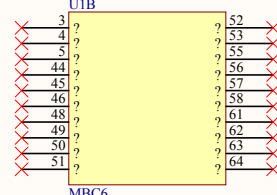
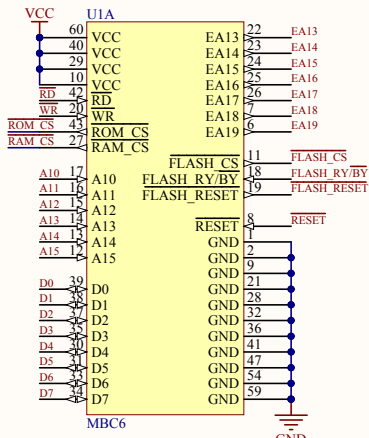
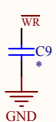


Pin60 might not be VCC



Game Boy (Color) PCB Documentation

PCB Name: CGB-A32	Created By: Tauwasser
PCB Revisions: 01	www.tauwasser.eu
File: CGB-A32.SchDoc	Date: 05 Sep 2015
	Document Revision: 1.0