

A

A

B

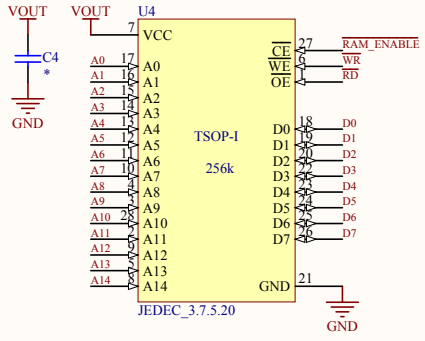
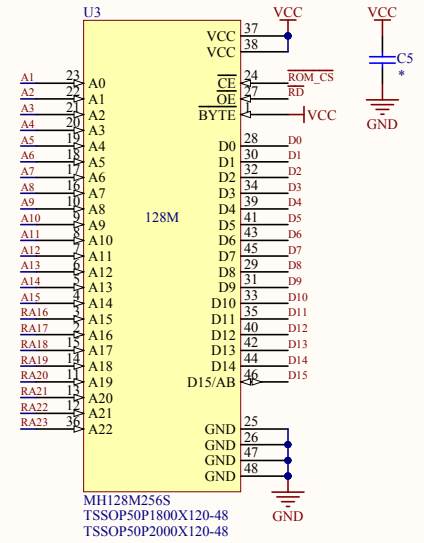
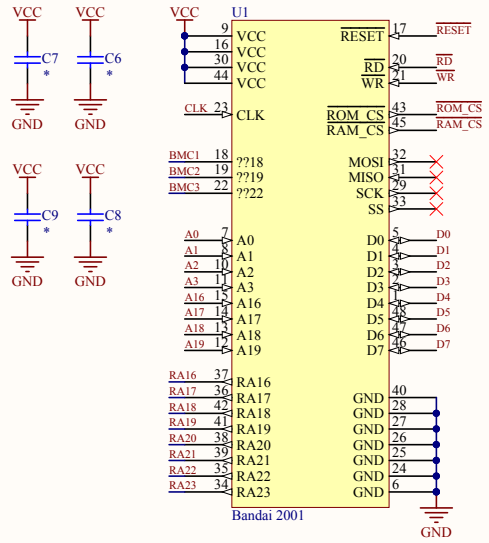
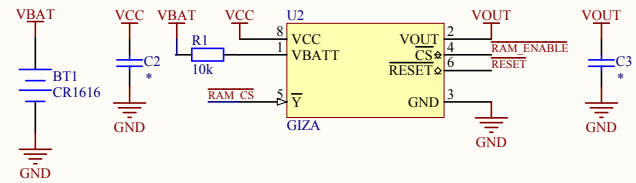
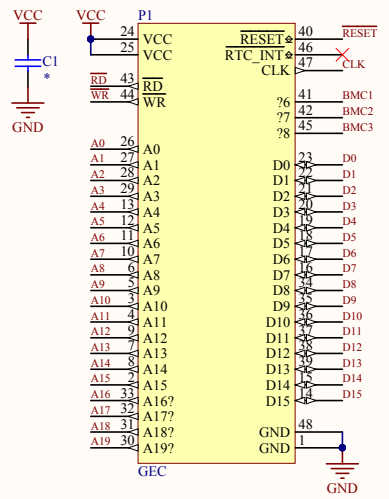
B

C

C

D

D



Wonderswan (Color/Crystal) PCB Documentation

PCB Name: PTE-0016	Designed By: Tauwasser
PCB Revisions: 0	www.tauwasser.eu
File: PTE-0016.SchDoc	Date: 14 Apr 2015 Document Revision: 1.0